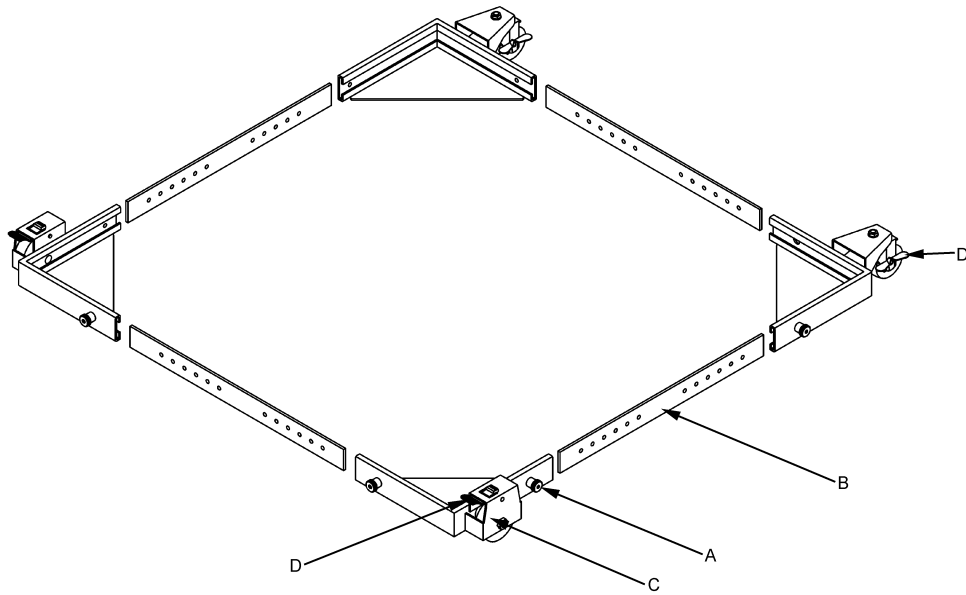




Instruction Sheet JMB-UMB Universal Mobile Base



WARNING

All mobile base castors should be locked unless the machine is being moved. Do not move the mobile base while the machine has power, or is plugged in. All four mobile base castors should always be locked while the machine is being used.

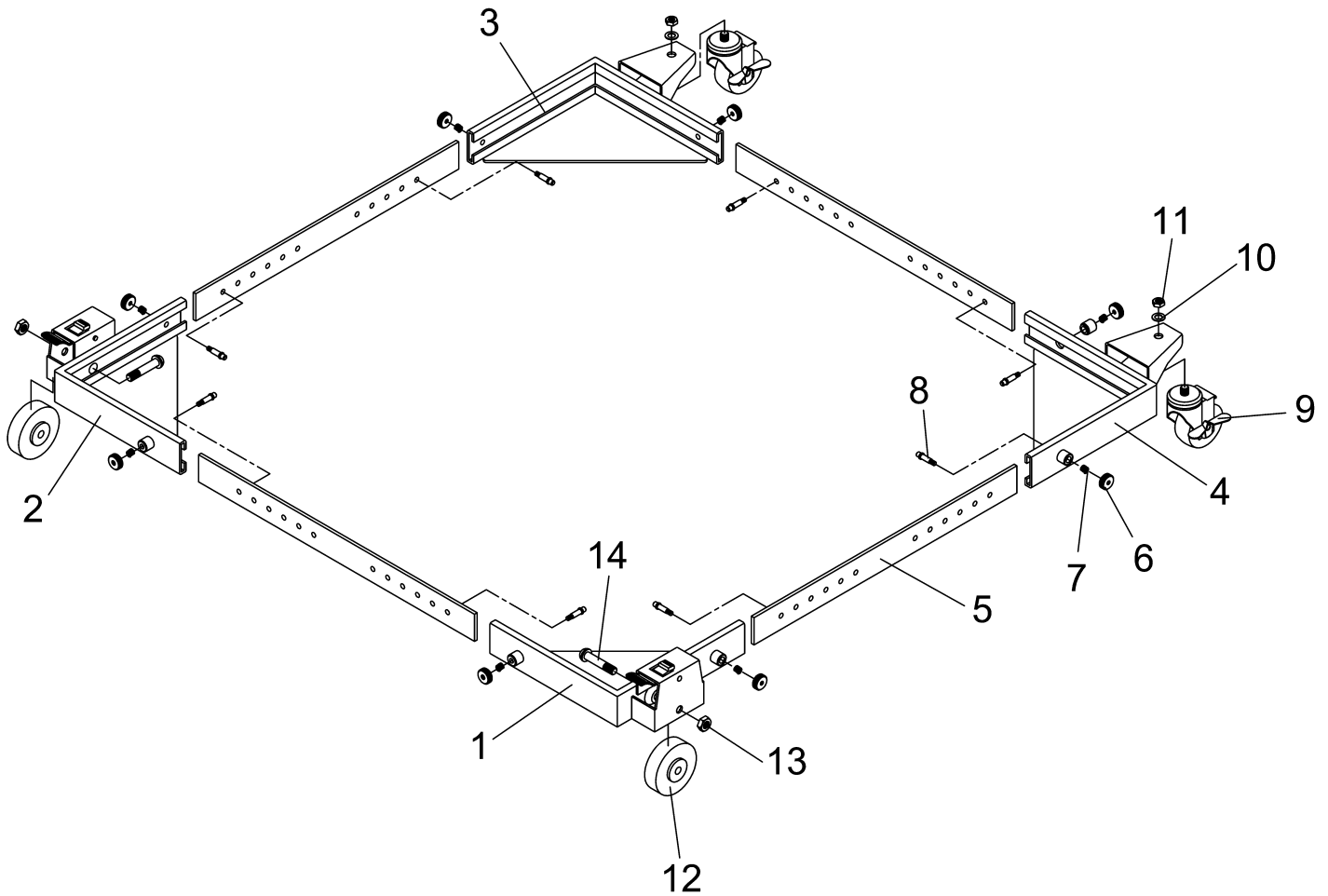
1. Pull out the spring-loaded knob (A) and slide the side adjusting plate (B) into the castor bracket assembly (C).
2. Locate spring-loaded pin into one of the indexing holes found in the side adjusting plate.
3. Position the machine so that it rests evenly on the corner brackets.
4. Lock four castors by stepping on the brake pedals (D). Unlock by flipping the pedal up with your foot.

WMH TOOL GROUP

Consumer/Light Industrial Products Division
P.O. BOX 1349
Auburn, WA 98071-1349
Ph: 1-800-274-6848 • Fax: 1-800-274-6840
E-mail: jet@wmhtoolgroup.com
www.wmhtoolgroup.com

M-708118 10/02
Copyright © WMH Tool Group

JMB-UMB Parts Breakdown



Part's List for the JMB-UMB Universal Mobile Base

Index No.	Part No.	Description	Size	Qty.
1	JMBUMB-01	Fixed Castor Bracket - Right		1
2	JMBUMB-02	Fixed Castor Bracket - Left		1
3	JMBUMB-03	Swivel Castor Bracket - Left		1
4	JMBUMB-04	Swivel Castor Bracket - Right		1
5	JMBUMB-05	Side Adjusting Plate		4
6	JMBUMB-06	Knob		8
7	JMBUMB-07	Spring		8
8	JMBUMB-08	Index Pin		8
9	JMBUMB-09	Swivel Castor		2
10	TS-0720091	Lock Washer	3/8"	2
11	TS-0570031	Hex Nut	3/8"-16UNC	2
12	JMBUMB-12	Fixed Wheel		2
13	TS-0640091	Lock Nut	3/8"-16UNC	2
14	JMBUMB-14	Bolt (Special)	3/8" x 2-3/16"	2