

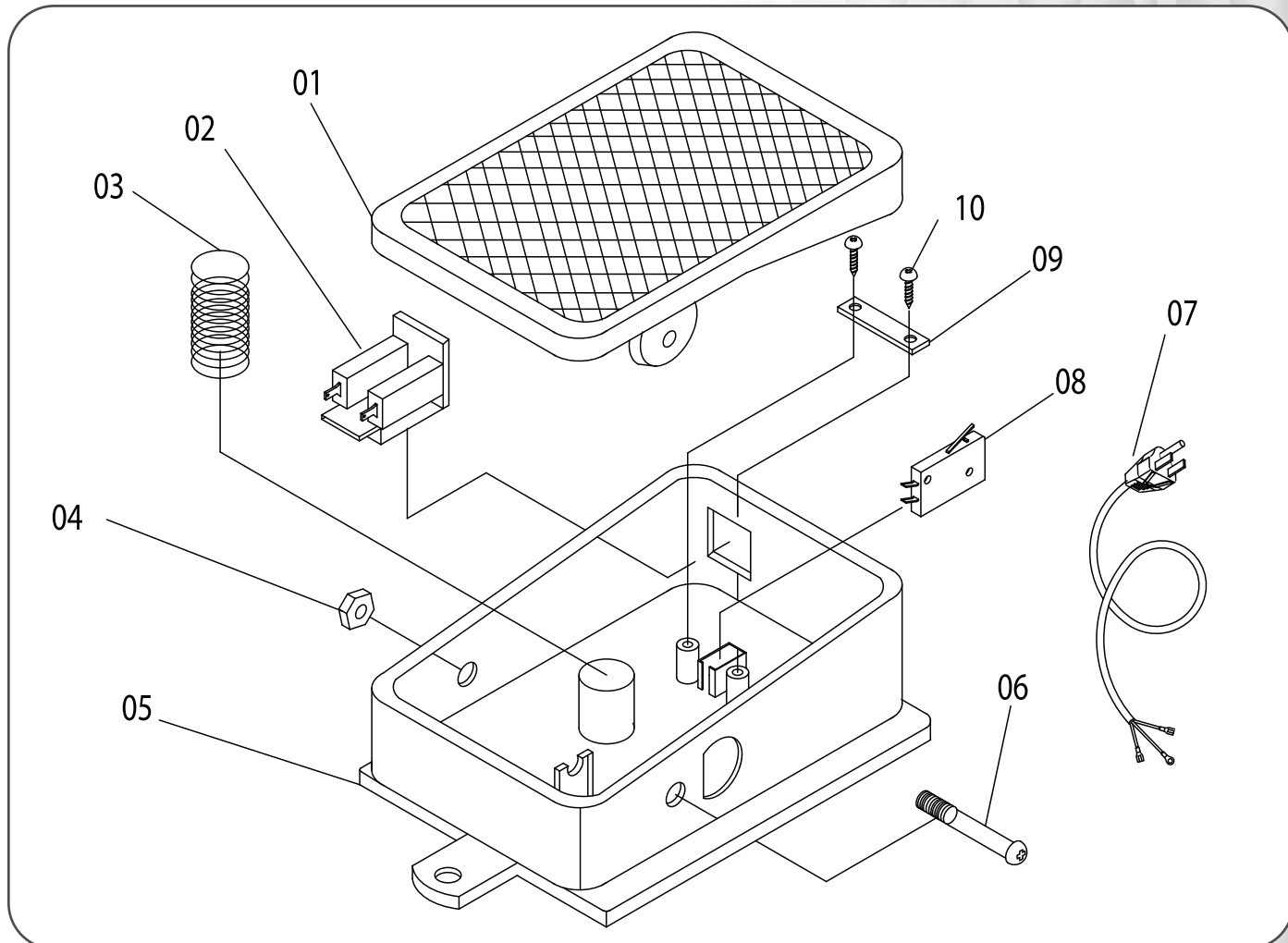
FOOT SWITCH

(FOR 110 V SCROLL SAWS)

ITEM # EX-01



www.general.ca



PARTS LIST EX-01

PART NO.	DESCRIPTION	QTY
EX01-01	SWITCH PAD	1
EX01-02	LINE CORD SOCKET	1
EX01-03	SPRING	1
EX01-04	NUT 3/16"	1
EX01-05	BASE	1
EX01-06	SCREW 3/16"	1
EX01-07	POWER CORD	1
EX01-08	LIMIT SWITCH	1
EX01-09	MOUNTING PLATE	1
EX01-10	PAN HEAD SCREW	2

**FOOT
SWITCH**