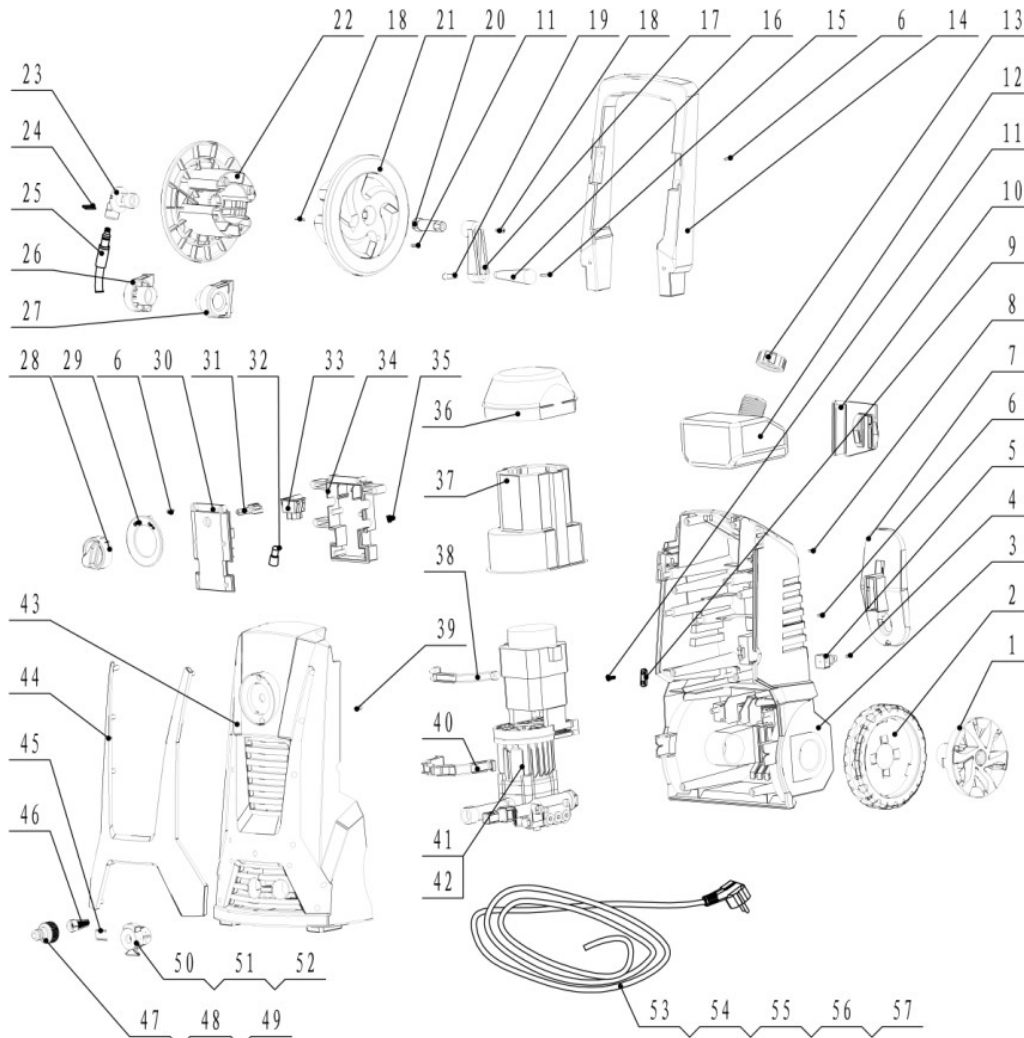


2000EPW, 1500EPWKIT, and 1500EPW
Parts Diagram



<u>Part number</u>	<u>Description</u>
1	Wheel cover
2	wheel
3	Base
4	tapping screw
5	connector
6	tapping screw
7	cable frame
8	tapping screw
9	gun seat
10	Pressure pad
11	tapping screw
12	detergent bottle

2000EPW, 1500EPWKIT, and 1500EPW
Parts Diagram

- 13 detergent bottle cover
- 14 Long handle
- 15 Bayonet pin
- 16 Handle
- 17 Handle framework
- 18 tapping screw
- 19 Bayonet pin sleeve
- 20 Handle connecting bar
- 21 Second Reel
- 22 Main Reel
- High pressure hose
- 23 connector
- 24 U-pin
- 25 short high-pressure hose
- 26 reel framework A
- 27 reel framework B
- 28 Switch knob
- 29 decorated board
- 30 Switch box cover
- 31 Switch rod
- 32 Wire connector
- 33 Switch
- 34 Switch box
- 35 half-circle protector
- 36 wind scooper cover
- 37 wind scooper
- 38 motor pad
- 39 tapping screw
- 40 Pump pressure pad
- 41 activated carbon pad
- 42 Pump
- 43 Cover
- 44 X-panel
- 45 U-pin
- 46 dust gauze
- 47 Shim
- 48 Inlet water connector
- 49 O-ring
- 50 bayonet coupling button
- 51 Bayonet pin
- 52 bayonet coupling
- 53 Cable protector
- 54 Cable

2000EPW, 1500EPWKIT, and 1500EPW
Parts Diagram

- 55 Spring
- 56 Spring sleeve
- 57 capacity